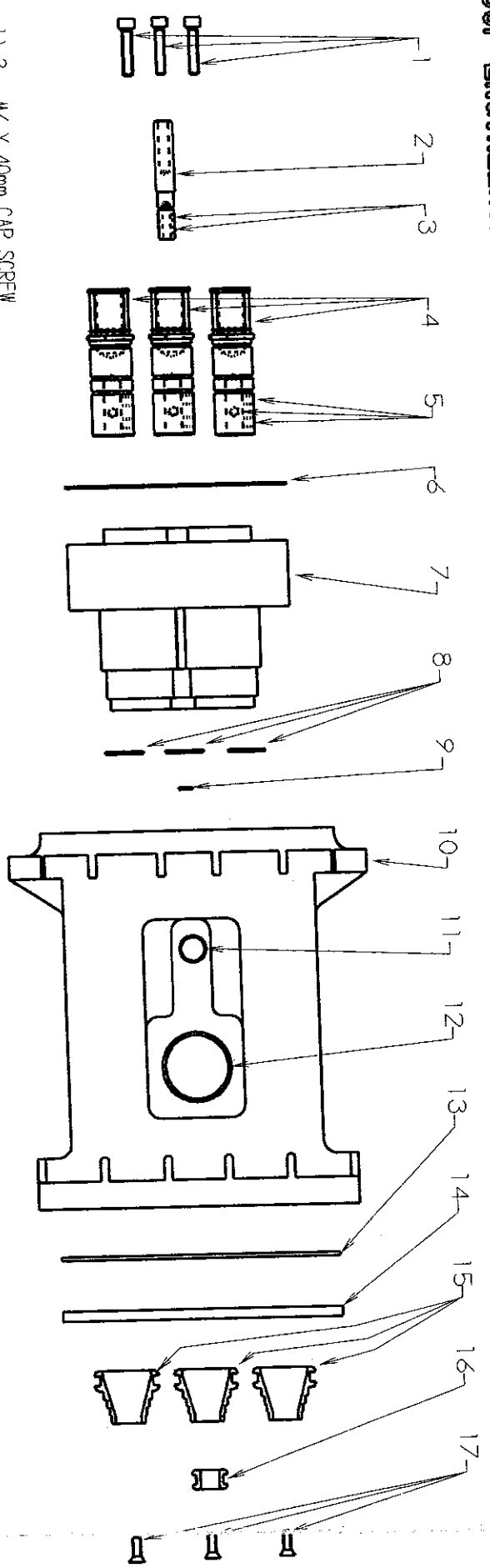
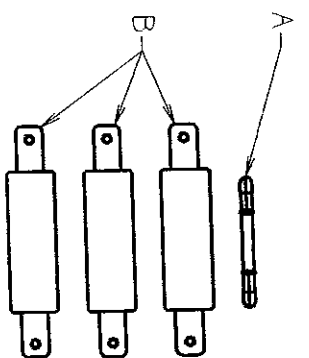


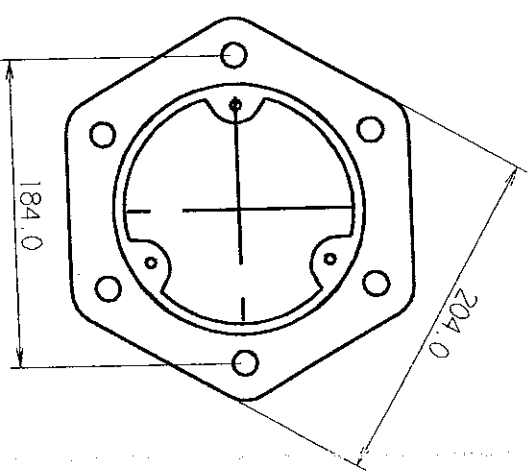
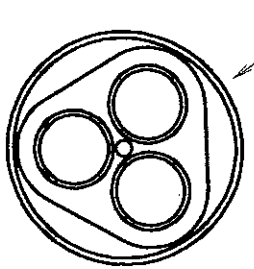
6. 6KV ADAPTOR



- 1) 3 - M6 X 40mm CAP SCREW
- 2) PT 66 PILOT TUBE
- 3) 2 - M4 X 10mm GRUB SCREW
- 4) 3 - CT 663 CONTACT TUBE
- 5) 9 - M8 X 12mm GRUB SCREW
- 6) OR 66 INSULATOR O-RING
- 7) IN 66 INSULATOR
- 8) 3 - CC 25 CONTACT CIRCLIP
- 9) CC 09 PILOT CIRCLIP
- 10) AD 661 ADAPTOR BODY
- 11) 3/8" BSPT FILLER PLUG
- 12) 1 1/4" BSPT FILLER PLUG
- 13) O-RING AD 66
- 14) TUFNDL 66 TUFNDL BOARD
- 15) 3 - PHG 66
- 16) 1 - PG 66
- 17) 3 - M6 X 10mm COUNTERSINK CAP SCREW



- A) 1 - PP 66 PILOT PIN
- B) 3 - MPP 663 MAINPHASE PIN
- C) 1 - SSR 663 SEALING RING



AD 663 C

AS X